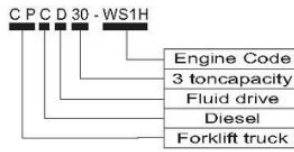


THIS PARTS CATALOGUE COVERS PARTS IN THE MOST OF 1 TO 3.5 TON FORKLIFT TRUCKS IN H3 SERIES

Model & configuration No.



Definition of system types

CODE	TYPE
A	POWER SYSTEM
B	ELECTRIC SYSTEM
C	TRANSMISSION BOX & AXLE ASSEMBLY
D	WHEEL SYSTEM
E	STEERING SYSTEM
F	BRAKE & CONTROL SYSTEM
G	TRUCK BODY SYSTEM
H	HYDRAULIC SYSTEM
I	UPPER STRUCTURE
J	LIFTING SYSTEM
K	PLATE
L	HOSE & PULLEY BLOCK

Abbreviations in the CATALOGUE

ASSY assembly H.P. High pressure
 R.H. right hand L.P. low pressure
 L.H. left hand

Version number note:

DWG form drawings are referred by adding a prefix D.

Terms instructions:

Metric: Parts made for common forklift trucks markets
 SAE: Special parts made for the forklift trucks exported to US and Canada

Signs instructions:

☆	It means when you purchasing this part, please consult local dealer/agent.
Figure number with "DB"	It is for the package sold as a unit, it is for selling as a unit.
Steering axle assembly with "-X"	It refers to steering axle without cushions and support bracket.
Figure number of filter with "X"	It refers to the filter core of the filter.
Figure number with "XLB"	It refers to the repair kits for the part.

The following trucks are provided with corresponding engine

CPD10 ¹⁸ -WS1H/GK-G240NKF001 engine	CPD(D) 20 ³⁵ -WS1H/ISUZU GK-G240NKF001 engine
CPD10 ¹⁸ -QC1H/4B4-45V32 (QUANCHAI 485 China stage III) engine	CPD(D) 20 ³⁵ -D2H/DAQHA1 QM498-97 engine
CPD10 ¹⁸ -HJ2H/JIANGLING HJ493G engine	CPD(D) 20 ³⁵ -D3H/DAQHA1 QM498-06TR engine
CPD10 ¹⁸ -XC4H/4N23G31 (XINCHANG 485 China stage III) engine	CPD(D) 20 ³⁵ -HJH/JIANGLING HJ493 engine
CPD10 ¹⁸ -WS1H/KUBOTA V2403 (D1 EURO stage III) engine	CPD(D) 20 ³⁰ -W8H/ISUZU 4JG2PE-01 engine
CPD10 ¹⁸ -RC1H/NISSAN K15 engine	CPD(D) 35 ^{-W4H/ISUZU 4JG2PE-01 engine}
CPYD10 ¹⁸ -RC1H/NISSAN K15 engine	CPD20 ³⁵ -GQ4H/GUMMINS QSF2.8 engine
CPYD10 ¹⁸ -RC1H/NISSAN K15 engine	CPD20 ³⁵ -GQ5H/GUMMINS QSF2.8 engine
CPYD10 ¹⁸ -RC2H/NISSAN K21 engine	CPD(D) 20 ³⁵ -HJ2H/JIANGLING HJ493 engine
CPYD10 ¹⁸ -RC2H/NISSAN K21 engine	CPD(D) 20 ³⁵ -W5H/ISUZU GK-4GJ2NKF001 engine
CPYD10 ¹⁸ -RC2H/NISSAN K21 engine	CPD(D) 20 ³⁵ -KJ11H/V2403 engine
CPYD10 ¹⁸ -RC2H/NISSAN K21 engine	CPD(D) 20 ³⁵ -KJ14H/V2403-0R-T1E4B-AH-H3 engine
CPYD10 ¹⁸ -RC2H/NISSAN K21 engine	CPD(D) 20 ³⁵ -X21H/XINCHANG498 engine
CPY(D) 20 ³⁵ -RC1H/NISSAN K25 engine	CPD(D) 20 ³⁵ -Q10H/QUANCHAI 4G3 engine
CPY(D) 20 ³⁵ -RC1H/NISSAN K25 engine	CPD(D) 20 ³⁵ -R0H/NISSAN K21 engine
CPYD20 ³⁵ -M1H/MITSUBISHI 2.4 engine	CPD(D) 20 ³⁵ -R0H/NISSAN K25 engine
CPYD20 ³⁵ -M1H/MITSUBISHI 2.4 engine	CPY(D) 20 ³⁵ -R0H/NISSAN K21 engine
CPYD20 ³⁵ -TYSH/GM3.0 engine	CPY(D) 20 ³⁵ -R01H/NISSAN K25 engine
CPYD20 ³⁵ -TYSH/GM3.0 engine	
CPYD20 ³⁵ -TYSH/GM3.0 engine	



HELI Forklift Parts Manual

Forklift Hydraulic System for H3 series

1-3.5Ton, IC forklift (1-11 page)

This Heli forklift parts manual is the forklift hydraulic system parts manual, which include the forklift hydraulic parts such as the hydraulic cylinder, control valve, fitting, tank etc. There are other parts manuals in this group, which is the parts catalogue covers all parts for Heli forklift 1-3.5 Ton forklift trucks in H3 series.

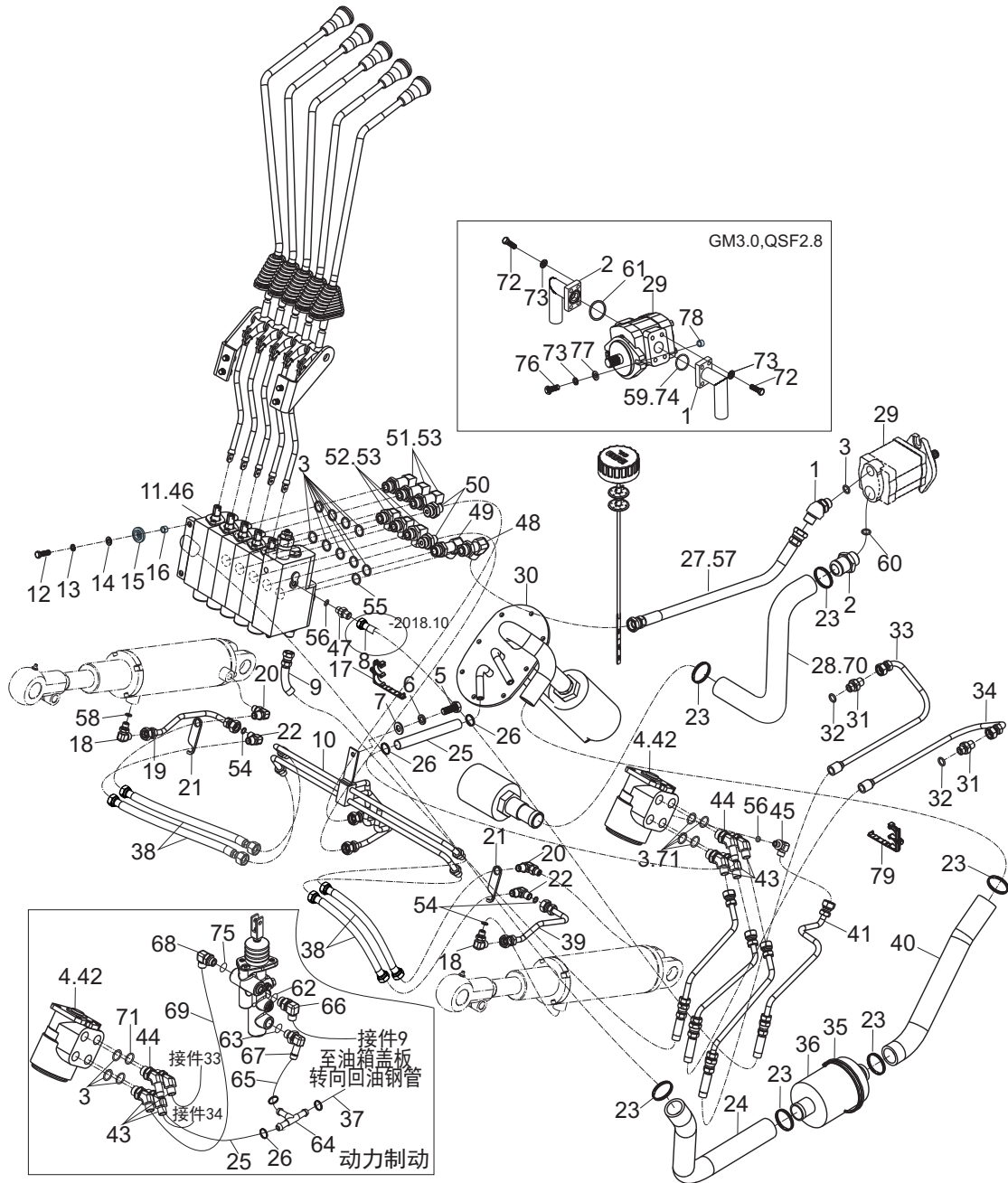
The strength of our company is that we have the full range of forklift parts for HELI forklift, many parts for JAC forklift, Hangcha forklift, the full range of China engines and parts for Xinchai, Quanchai, FAW, YTO, Zhaochai, forklift transmission parts, forklift axle parts, forklift brake parts, forklift hydraulic parts, forklift electric parts, forklift bearing, forklift mast, forklift filter, forklift seal, forklift tire and forklift rim, etc. If you are interested in China brand forklift parts, please contact us for a better option!



Anhui Leading Forklift Parts Co., Ltd.
www.leadingforkliftparts.com
www.youtube.com/@leadingforkliftparts



H 液压管路系统 (美制)
H HYDRAULIC SYSTEM (SAE)



E2MD7-60001

H 液压管路系统 (美制)
H HYDRAULIC SYSTEM (SAE)

序号 Item No.	图号 Part No.	版本 Edition	零部件名称	Description	件数 Q'ty	备注 Remark	适用时间 Applied time
A	E2MD7-60001	D15	液压管路系统(美制)	Hydraulic system(SAE)	1		
01	E24C7-60291	01	油泵接头	Elbow(Inc. 03)	1	C240, 三菱2.4	
-	E24C7-60321	01	油泵接头	Elbow(Inc. 03)	1	4JG2/GA498/HJ493/K21/K25/V2403/YN4A	
-	E2FF7-60231A	00	出油法兰总成	Flange(Inc. 59)	1	QSF2.8	
-	E2Y7-60201	00	油泵出油口法兰	Flange(Inc. 59)	1	GM3.0	
02	JT7021-10011	01	直通接头	Nipple(Inc. 60)	1	C240/K21/K25/HJ493/4JG2 GA498/V2403/YN4A/三菱2.4	
-	H2FF7-60211	00	吸油法兰总成	Flange(Inc. 61)	1	QSF2.8	
-	A90A7-60401	00	油泵进油口法兰	Flange(Inc. 61)	1	GM3.0	
03	Z6006-01782	00	O型密封圈17.8x2.4	O-ring	15	JIS B2401	
04	E2HD7-60231	00	转向器总成	Steering unit(Inc. 42-45)	1	人力制动 Manual brake	
-	E2FH7-60201	02	转向器总成	Steering unit(Inc. 42-44)	1	动力制动 Power brake	
05	B0330-06012	00	螺栓M6X12	Bolt	1	GB5783-86	
06	B5050-00006	00	垫圈6	Washer, lock	1	GB93-87	
07	B5310-00006	00	垫圈6	Washer	1	GB97.1-85	
08	Z7801-0603212	D00	高压胶管6 I X300	Hose H. P.	1	人力制动 Manual brake	-2018. 10
09	E2MD7-62201	D03	高压胶管总成	Hose H. P.	1	人力制动 Manual brake	
-	E2MD7-62221	D00	高压胶管总成	Hose H. P.	1	动力制动 Power brake	2017. 05-
	Z7801-0807014	D00	高压胶管总成	Hose H. P.	1	动力制动 Power brake	-2017. 04
10	E2MD7-60331	01	倾斜钢管总成	Steel tube, tilt	1	全套OPS OPS(whole set)	
11	HRE2MD7624	01	多路阀总成	Control valve(Inc. 46-53)	1	人力制动 Manual brake	
-	HRE2MD7634	03	多路阀总成	Control valve(Inc. 46-53)	1	行走OPS/不装OPS OPS(travelling function)/Without OPS 全套OPS OPS(whole set)	
-	HRA20A7341	D00	多路阀总成	Control valve(Inc. 46-53)	1	动力制动 Power brake 行走OPS/不装OPS OPS(travelling function)/Without OPS	
12	B0530-10025	00	螺栓M10X1.25X25	Bolt	4	GB5786-86	-2018. 03
-	B0530-10020	00	螺栓M10X1.25X20	Bolt	4	GB5786-86	2018. 04-
13	B5050-00010	00	垫圈10	Washer, lock	4	GB93-87	
14	B5210-00010	00	垫圈10	Washer	4	GB96-85	
15	H2MD7-62121	01	减震垫	Shim	4		
16	H2MD7-62131	01	衬管	Bushing	4		
17	G2FB7-62051	00	管夹16	Clip	2		

H 液压管路系统 (美制)
H HYDRAULIC SYSTEM (SAE)

序号 Item No.	图号 Part No.	版本 Edition	零部件名称	Description	件数 Q'ty	备注 Remark	适用时间 Applied time
18	JT7022-14021	02	直角接头	Elbow (Inc. 58)	2		
19	H2MD7-60261	02	右高压钢管总成	Steel tube assembly (R. H.)	1		
20	G2Y27-62041	01	连板接头	Elbow	2		
21	G3H37-61011	01	连接板	Plate	2		
22	G2Y27-62071	02	隔板接头	Elbow (Inc. 54)	2		
23	Z4592-32050	00	喉箍32-50	Clip	6		
24	H2MD7-62161	01	多路阀回油管	Hose	1	行走OPS/不装OPS OPS (travelling function) / Without OPS	
-	H2MD7-62171	01	多路阀回油管	Hose	1	全套OPS OPS (whole set)	
25	Z7300-13200	D00	低压胶管 Φ 13X2000	Hose	1	人力制动 Manual brake	
-	Z7300-13070	D00	低压胶管 Φ 13X700	Hose	1	动力制动 Power brake	
26	Z4503-12022	00	喉箍12-22	Clip	2	人力制动 Manual brake	
					6	动力制动 Power brake	
27	Z7802-1312522	D00	高压胶管13 II X1250	Hose H. P.	1	YN4A/HJ493/CA498/K21/V 2403/C240/K25/4JG2	
-	Z7802-1309522	D00	高压胶管13 II X950	Hose H. P.	1	QSF2. 8	
-	Z7802-1313522	D00	高压胶管13 II X1350	Hose H. P.	1	三菱2. 4/道依茨F4M2011	
28	H2MD7-62141	00	油泵吸油管	Hose	1	C240	
-	H2MD7-62151	01	油泵吸油管	Hose	1	CA498	
-	H2MD7-62271	00	油泵吸油管	Hose	1	4JG2	
-	H2MD7-62281	00	油泵吸油管	Hose	1	HJ493	
-	H2FF7-62061	01	油泵吸油管	Hose	1	QSF2. 8	
-	H2MD7-62311	00	油泵吸油管	Hose	1	K21/K25	
-	H2TG7-62011	00	油泵吸油管	Hose	1	V2403	
-	H3HL7-62011	01	油泵吸油管	Hose	1	YN4A	
-	H2MD7-62401	00	油泵吸油管	Hose	1	三菱2. 4	
-	H2FH7-62011	00	油泵吸油管	Hose	1	道依茨F4M2011	
29	HRH24C7101 H24C7-10001	D02	齿轮油泵	Pump	1	4JG2/CA498-97/K21/K25 (3-3. 5t)	
-	HRH24C7101 H24C7-10011	D02	齿轮油泵	Pump	1	HJ493 (2- 2. 5t)	
-	HRH24C7101 H25S7-10001	D02	齿轮油泵	Pump	1	HJ493 (3- 3. 5t)	
-	HRH24C7101 H25S7-10011	D02	齿轮油泵	Pump	1	C240 (2-2. 5t)	
-	HRH24C7101 H25S7-10011	D02	齿轮油泵	Pump	1	C240 (3-3. 5t)	
-	H2F97-10001	D01	齿轮油泵	Pump	1	K21/K25/CA498-97 (2-2. 5t)	
						CA498-06T3R/三菱2. 4/ V2403-CR (3-3. 5t)	

E2MD7-60001

H 液压管路系统 (美制)
H HYDRAULIC SYSTEM (SAE)

序号 Item No.	图号 Part No.	版本 Edition	零部件名称	Description	件数 Q'ty	备注 Remark	适用时间 Applied time
-	G2727-11201	D00	齿轮油泵	Pump	1	CA498/4JG2/V2403-CR/三菱2.4 (2-2.5t) V2403-M (2-3.5t)	
-	HRH2FF7101 H2FF7-10001	03	齿轮油泵	Pump	1	QSF2.8	
-	H2YW7-10001	00	齿轮油泵	Pump	1	GM3.0 (2-2.5t)	
-	A90A7-10001	00	齿轮油泵	Pump	1	GM3.0 (3-3.5t)	
30	H2MD7-60011	03	液压油箱辅件	Oil tank	1	其余 Etceteras 见附表/See attachments	
-	H2FF7-50001	02	液压油箱辅件	Oil tank	1	QSF2.8 见附表/See attachments	
31	JT8021-96061	01	直通接头体	Nipple (Inc. 32)	2		
32	Z6006-01382	00	O型密封圈13.8x2.4	O-ring	2	JIS B2401	
33	E2MD7-62181	D02	高压胶管总成	Hose H. P.	1		
34	E2MD7-62191	D02	高压胶管总成	Hose H. P.	1		
35	Z4535-92120	D00	喉箍92-120	Clip	1		
36	25597-60301G	02	滤油器	Oil filter	1		
37	Z7300-13130	D00	低压胶管Φ13x1300	Hose	1	动力制动 Power brake	
38	Z7801-8A03214	D00	高压胶管	Hose H. P.	4		
39	H2MD7-60271	02	左高压钢管总成	Steel tube ass'y (L. H.)	1		
40	H2MD7-62231	00	过渡回油管	Hose	1	其余 Etceteras	
-	H2FF7-62021	00	过渡回油管	Hose	1	QSF2.8	
41	E2MD7-62251	01	转向钢管总成	Steel pipe ass'y	1		-2018.10
-	E2MD7-62251A	D00	转向钢管总成	Steel pipe ass'y	1		2018.11-
42	H2HD4-10111	00	转向器	Steering unit	1	人力制动 Manual brake	
-	G2724-12501	01	全液压转向器	Steering unit	1	动力制动 Power brake	
43	E1M57-60241	01	60度接头	Connetor (Inc. 03)	3		
44	H1M57-60251	01	60度接头	Connetor (Inc. 71)	1		
45	JT6022-14061	06	直角接头	Connetor (Inc. 56)	1	人力制动 Manual brake	
46	HRH2MD7301 E2MD7-30421-X	01	多路阀	Control valve	1	人力制动/Manual brake 两片阀用 Two-throw	
-	HRH2MD7301 E2MD7-30431-X	01	多路阀	Control valve	1	人力制动/Manual brake 三片阀用 Three-throw	
-	HRH2MD7301 E2MD7-30431G-X	01	多路阀	Control valve	1	人力制动/Manual brake 三片阀用 Three-throw 带过载 With over loading	
-	HRH2MD7301 E2MD7-30441-X	01	多路阀	Control valve	1	人力制动/Manual brake 四片阀用 Four-throw	

E2MD7-60001

H 液压管路系统 (美制)
H HYDRAULIC SYSTEM (SAE)

序号 Item No.	图号 Part No.	版本 Edition	零部件名称	Description	件数 Q'ty	备注 Remark	适用时间 Applied time
-	HRH2MD7301 E2MD7-30441G-X	01	多路阀	Control valve	1	人力制动/Manual brake 四片阀用 Four-throw 带过载 With over loading	
-	HRH2MD7301 E2MD7-30451-X	01	多路阀	Control valve	1	人力制动/Manual brake 五片阀用 Five-throw	
-	HRH2MD7301 E2MD7-30451G-X	01	多路阀	Control valve	1	人力制动/Manual brake 五片阀用 Five-throw 带过载 With over loading	
-	HRH2MD7302 E2MD7-31421-X	01	多路阀(全套OPS)	Control valve (Whole set OPS)	1	人力制动/Manual brake 两片阀用 Two-throw	
-	HRH2MD7302 E2MD7-31431-X	01	多路阀(全套OPS)	Control valve (Whole set OPS)	1	人力制动/Manual brake 三片阀用 Three-throw	
-	HRH2MD7302 E2MD7-31431G-X	01	多路阀(全套OPS)	Control valve (Whole set OPS)	1	人力制动/Manual brake 三片阀用 Three-throw 带过载 With over loading	
-	HRH2MD7302 E2MD7-31441-X	01	多路阀(全套OPS)	Control valve (Whole set OPS)	1	人力制动/Manual brake 四片阀用 Four-throw	
-	HRH2MD7302 E2MD7-31441G-X	01	多路阀(全套OPS)	Control valve (Whole set OPS)	1	人力制动/Manual brake 四片阀用 Four-throw 带过载 With over loading	
-	HRH2MD7304 H2MD7-31201-XM	00	多路阀(全套OPS)	Control valve (Whole set OPS)	1	动力制动/Power brake 两片阀用 Two-throw	
-	HRH2MD7304 H2MD7-31301-XM	00	多路阀(全套OPS)	Control valve (Whole set OPS)	1	动力制动/Power brake 三片阀用 Three-throw	
-	HRH2MD7304 H2MD7-31301G-XM	00	多路阀(全套OPS)	Control valve (Whole set OPS)	1	动力制动/Power brake 三片阀用 Three-throw 带过载 With over loading	
-	HRH2MD7304 H2MD7-31401-XM	00	多路阀(全套OPS)	Control valve (Whole set OPS)	1	动力制动/Power brake 四片阀用 Four-throw	
-	HRH2MD7304 H2MD7-31401G-XM	00	多路阀(全套OPS)	Control valve (Whole set OPS)	1	动力制动/Power brake 四片阀用 Four-throw 带过载 With over loading	
-	HRA20A7302 E20A7-30421-X	D02	多路阀	Control valve	1	动力制动/Power brake 两片阀用 Two-throw	
-	HRA20A7302 E20A7-30431-X	D02	多路阀	Control valve	1	动力制动/Power brake 三片阀用 Three-throw	
-	HRA20A7302 E20A7-30431G-X	D02	多路阀	Control valve	1	动力制动/Power brake 三片阀用 Three-throw 带过载 With over loading	
-	HRA20A7302 E20A7-30441-X	D02	多路阀	Control valve	1	动力制动/Power brake 四片阀用 Four-throw	
-	HRA20A7302 E20A7-30441G-X	D02	多路阀	Control valve	1	动力制动/Power brake 四片阀用 Four-throw 带过载 With over loading	
-	HRH2FH7301 H2MD7-30501-XM	00	多路阀	Control valve	1	动力制动/Power brake 五片阀用 Five-throw	
-	HRH2FH7301 H2MD7-30501G-XM	00	多路阀	Control valve	1	动力制动/Power brake 五片阀用 Five-throw 带过载 With over loading	
47	JT8021-96021	01	直通接头	Nipple(Inc. 56)	1		
48	JT8022-34011	01	直角接头	Elbow(Inc. 55)	1		
49	JT8022-34031	01	直角接头	Elbow(Inc. 03)	1		

E2MD7-60001

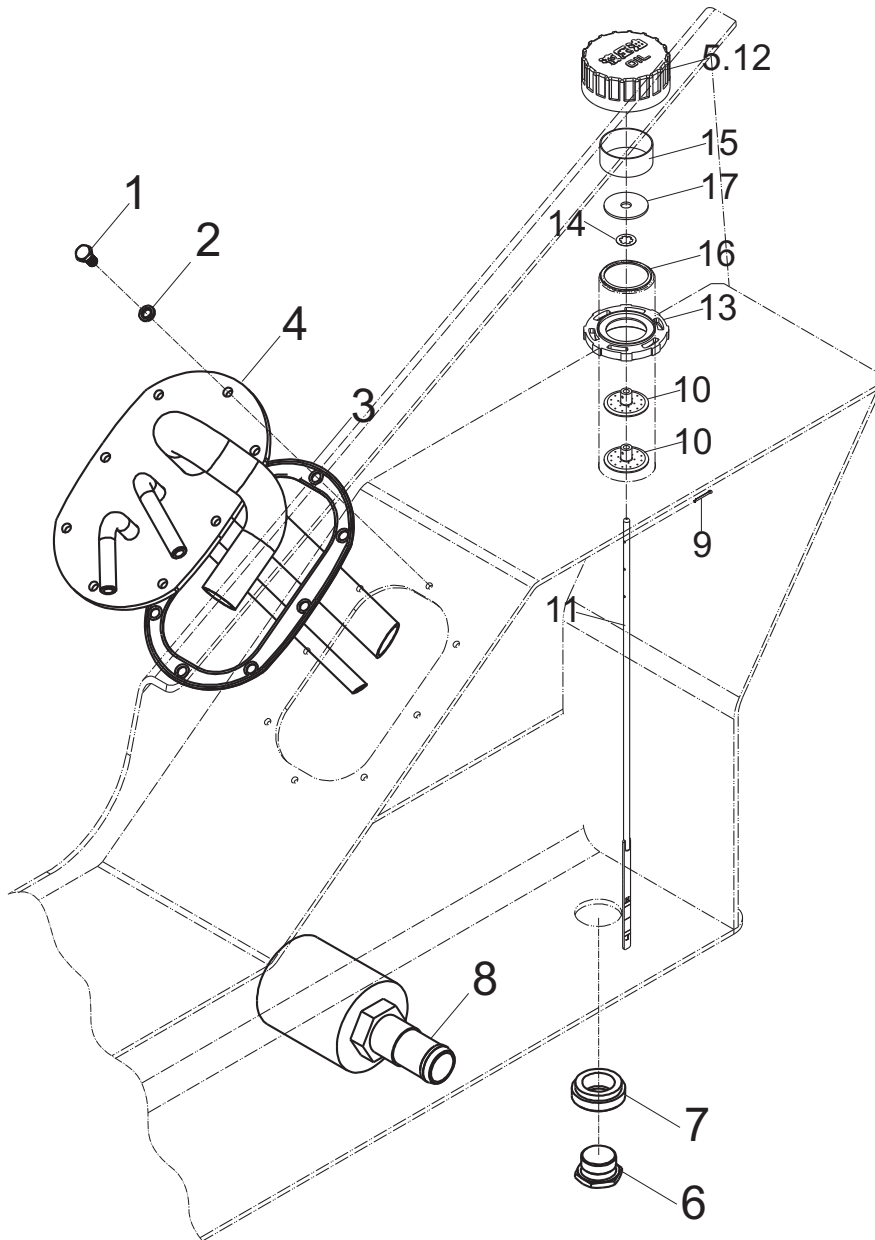
H 液压管路系统 (美制)
H HYDRAULIC SYSTEM (SAE)

序号 Item No.	图号 Part No.	版本 Edition	零部件名称	Description	件数 Q'ty	备注 Remark	适用时间 Applied time
50	JT6021-20021	04	直通接头	Nipple (Inc. 03)	2		
51	JT8022-96041	02	直角接头	Elbow (Inc. 03)	1	三片阀用 Three-throw	
					2	四片阀用 Four-throw	
					3	五片阀用 Five-throw	
52	JT8022-96031	02	直角接头	Elbow (Inc. 03)	1	三片阀用 Three-throw	
					2	四片阀用 Four-throw	
					3	五片阀用 Five-throw	
53	E12A7-60251	00	堵头	Plug	2	三片阀用 Three-throw	
					4	四片阀用 Four-throw	
					6	五片阀用 Five-throw	
54	Z6003-01502	00	O型密封圈15x2.4	O-ring	2	GB1235-76	
55	Z6006-01982	00	O型密封圈19.8x2.4	O-ring	1	JIS B2401	
56	Z6006-00982	00	O型密封圈9.8x2.4	O-ring	2	JIS B2401	
57	Z7802-1321222	00	高压胶管	Hose	1	GM3.0	
58	Z6006-01082	00	O型密封圈10.8x2.4	O-ring	2	JIS B2401	
59	Z6004-03503	00	O型密封圈35x3.1	O-ring	1	GB1235-76	
60	Z6005-02873	00	O型密封圈28.7x3.5	O-ring	1	JIS B2401	
61	Z6003-04003	00	O型密封圈40x3.1	O-ring	1	GB1235-76	
62	G50W7-63221	00	O型密封圈16.36x2.21	O-ring	1		
63	Z6052-01322	00	O型密封圈13.2x2.65	O-ring	1	GB3452.1-92	
64	JT6031-13001	00	三通接头	Three-way	1	动力制动 Power brake	
65	Z7300-13040	D00	低压胶管 Φ13x400	Hose	1	动力制动 Power brake	
66	JT8022-34161	01	直角接头	Elbow (Inc. 62)	1	动力制动 Power brake	
67	JT6022-16201	00	直角接头	Elbow (Inc. 63)	1	动力制动 Power brake	
68	JT8022-58051	01	直角接头	Elbow (Inc. 75)	1	动力制动 Power brake	
69	Z7801-0806014L08	00	高压胶管	Hose H. P.	1	动力制动 Power brake	
70	HMS27-62001	00	吸油胶管	Hose	1	GM3.0 (2- 2.5t)	
-	HMS27-62011	00	吸油胶管	Hose	1	GM3.0 (3- 3.5t)	
71	Z6005-01782	00	O型密封圈17.8x2.4	O-ring	1	JIS B2401	
72	B0530-10030	00	螺栓M10x1.25x30	Bolt	8	GB5786-86 GM3.0	
-	A90A7-62101	00	螺栓M10x1.25x20	Bolt	8	QSF2.8	
73	B5050-00010	00	垫圈10	Washer, lock	10	GB93-87 GM3.0	

H 液压管路系统 (美制)
H HYDRAULIC SYSTEM (SAE)

序号 Item No.	图号 Part No.	版本 Edition	零部件名称	Description	件数 Q'ty	备注 Remark	适用时间 Applied time
					8	GB93-87 QSF2.8	
74	Z6053-02503	00	O型密封圈25x3.55	O-ring	1	GB3452.1-92 GM3.0	
75	G50W7-63241	00	O型密封圈13.47x2.08	O-ring	1		
76	B0230-10040	00	螺栓M10x40	Bolt	2	GB5782-86 GM3.0	
77	B5310-00010	00	垫圈10	Washer	2	GB97.1-85 GM3.0	
78	B4123-00010	00	螺母M10	Nut	2	GB6170-86 GM3.0	
80	G2FB7-62061	01	管夹22	Clip	5		

H 液压油箱辅件
H OIL TANK ACCESSORIES

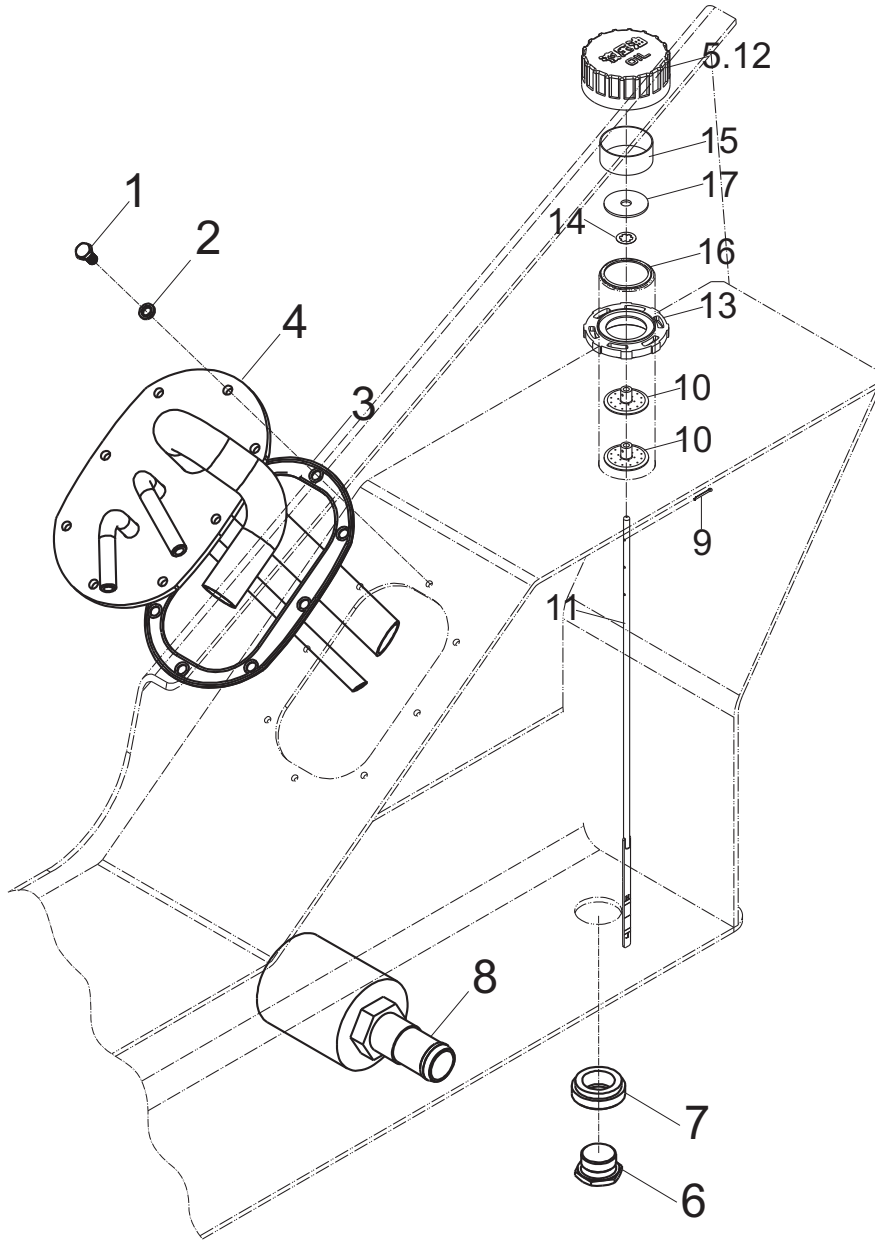


H2MD7-60011

H 液压油箱辅件
H OIL TANK ACCESSORIES

序号 Item No.	图号 Part No.	版本 Edition	零部件名称	Description	件数 Q'ty	备注 Remark	适用时间 Applied time
A	H2MD7-60011	03	液压油箱辅件	Oil tank accessories	1		
01	B0330-08020	00	螺栓M8X20	Bolt	8	GB5783-86	
02	Z6701-00827	00	组合垫圈8	Washer	8	JB982-77	
03	H2MD7-62031	03	油箱盖板垫	Gasket	1		
04	H2MD7-60201	04	油箱盖板总成	Cover plate ass' y	1		
05	H2MD7-60211	02	加油盖总成	Cap ass' y(Inc.9-17)	1		
06	22197-52081	03	放油螺塞	Plug	1		
07	Z6700-03027	00	组合垫圈30	Washer	1	JB982-77	
08	H24C7-50302	01	吸油滤油器	Strainer	1		
09	B3010-02016	00	销2X16	Pin	3		
10	AE937-60721	01	挡油盖	Cap	2		
11	H2MD7-62041	02	油标尺	Rod , lever	1		
12	23657-53051G	D02	加油盖	Oil filler cap	1		
13	23657-50050A	00	盖芯(白色)	Core	1		
14	23452-20050G	00	弹簧卡圈	Snap ring	1		
15	23657-50060A	00	空气滤芯	Air filter core	1		
16	23657-53061A	00	橡胶垫	Rubber mat	1		
17	23657-53071A	00	铜基滤芯	Copper-based filter core	1		

H 液压油箱辅件
H OIL TANK ACCESSORIES



H2FF7-50001

H 液压油箱辅件
H OIL TANK ACCESSORIES

序号 Item No.	图号 Part No.	版本 Edition	零部件名称	Description	件数 Q'ty	备注 Remark	适用时间 Applied time
A	H2FF7-50001	02	液压油箱辅件	Oil tank accessories	1		
01	B0330-08020	00	螺栓M8X20	Bolt	8	GB5783-86	
02	Z6701-00827	00	组合垫圈8	Washer	8	JB982-77	
03	H2MD7-62031	03	油箱盖板垫	Gasket	1		
04	H2FF7-60201	01	油箱盖板总成	Cover plate ass' y	1		
05	H2MD7-60211	02	加油盖总成	Cap ass' y(Inc.9-17)	1		
06	22197-52081	03	放油螺塞	Plug	1		
07	Z6700-03027	00	组合垫圈30	Washer	1	JB982-77	
08	H24C7-50302	01	吸油滤油器	Strainer	1		
09	B3010-02016	00	销2X16	Pin	3		
10	AE937-60721	01	挡油盖	Cap	2		
11	H2MD7-62041	02	油标尺	Rod , lever	1		
12	23657-53051G	D02	加油盖	Oil filler cap	1		
13	23657-50050A	00	盖芯(白色)	Core	1		
14	23452-20050G	00	弹簧卡圈	Snap ring	1		
15	23657-50060A	00	空气滤芯	Air filter core	1		
16	23657-53061A	00	橡胶垫	Rubber mat	1		
17	23657-53071A	00	铜基滤芯	Copper-based filter core	1		